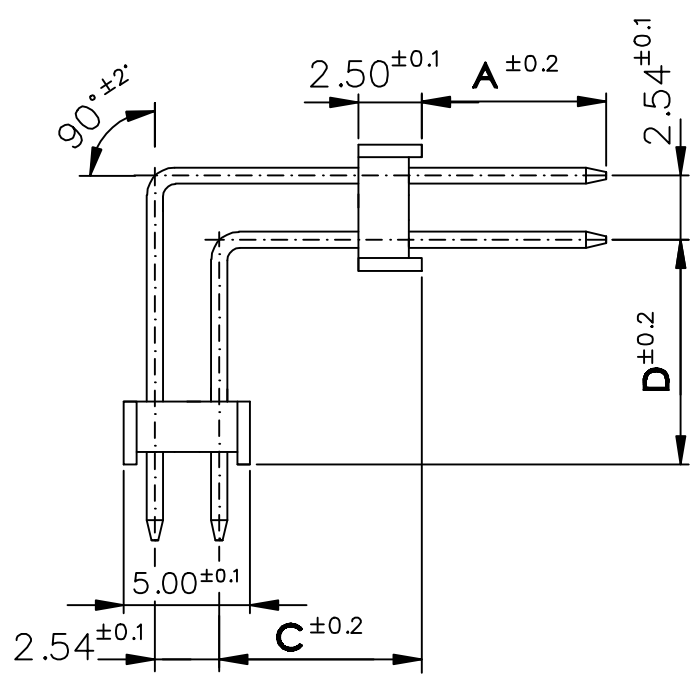
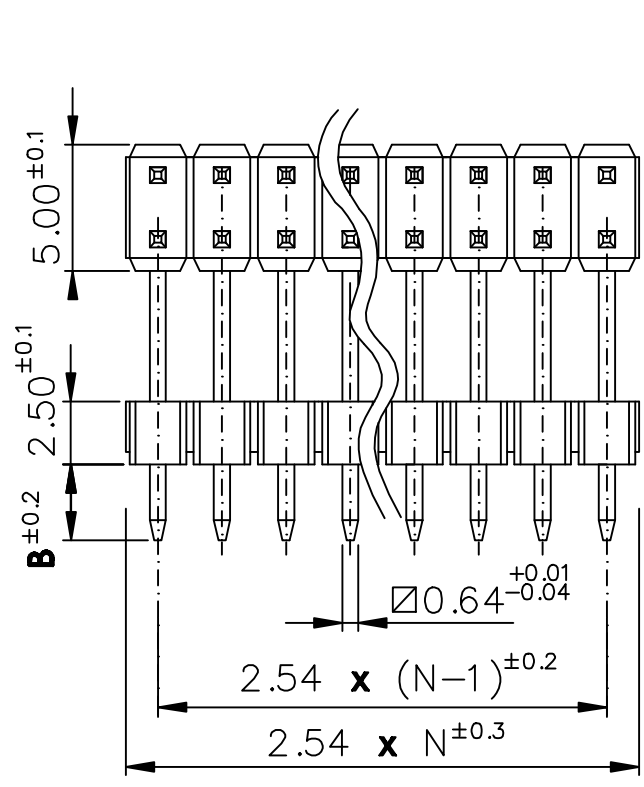


THIS DRAWING IS THE PROPERTY OF FIORTECH FACTORY AND IT CAN NOT BE USED, REPRODUCED AND OR LOANED TO THIRD PARTIES WITHOUT THE WRITTEN PERMISSION OF FIORTECH



**Plating:**

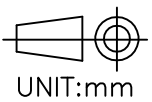
- (YY) = FG = gold flash
- (YY) = G1 = gold 0.12µm
- (YY) = G2 = gold 0.25µm
- (YY) = G3 = gold 0.50µm
- (YY) = G4 = gold 0.75µm
- (YY) = TF = pure tin flash
- (YY) = T1 = pure tin 5µm
- (YY) = FS = selective gold flash
- (YY) = S1 = selective gold 0.12µm
- (YY) = S2 = selective gold 0.25µm
- (YY) = S3 = selective gold 0.50µm
- (YY) = S4 = selective gold 0.75µm

(XX) = N = number of contacts per row between 02 and 50

Put the desired dimensions for A, B, C and D in mm unit

CM-254-A-2x (XX) -2- (YY) - A/B/C/D

QUESTO DISEGNO E' DI PROPRIETA' DELLA DITTA FIORTECH E NON PUO' ESSERE USATO, E/O CEDUTO A TERZI SENZA IL PERMESSO SCRITTO DELLA FIORTECH

 UNIT:mm	<b>ELECTRICAL PROPERTIES</b> Current rate: 3 Ampère Insulation resistance: 5000MΩ min. Contact resistance: 10mΩ max. Dielectric Voltage: 500V AC for 1 minute		<b>MECHANICAL PROPERTIES</b> Operating temperature: -40°C + +105°C Peak temperature: 160° for 5+10 sec PCB recommended holes: ø1.02mm										
	INDEX	DATE	MODIFICATION OCCURRED										
<b>TOLERANCES FOR FREE DIMENSIONS</b>				Material: <u>Pin: copper alloy</u> <u>Insulator: Nylon 6T (UL94V0)</u>									
ANGULAR VALUES	FROM 0.5 TO 3.0	FROM >3.0 TO 6.0	FROM >6.0 TO 10.0	FROM >10.0 TO 18.0	FROM >18.0 TO 30.0	FROM >30.0 TO 50.0	FROM >50.0 TO 80.0	FROM >80.0 TO 120.0	FROM >120.0 TO 180.0	FROM >180.0 TO 250.0	FROM >250.0 TO 315.0	Plating: See table (all platings are over a Ni coating)	VISA Scale
±2°	±0.125	±0.150	±0.180	±0.215	±0.260	±0.310	±0.370	±0.435	±0.500	±0.575	±0.650	Notes: --	Date of creation: 16-02-06
Part number: CM-254-A-2x (XX) -2- (YY) -A/B/C/D												Designer: Chiappini R.	

Drawing number: \_\_\_\_\_

Index: \_\_\_\_\_

File: \_\_\_\_\_

Description: \_\_\_\_\_

**Double row right angle double insulator male connector pitch 2.54mm**

