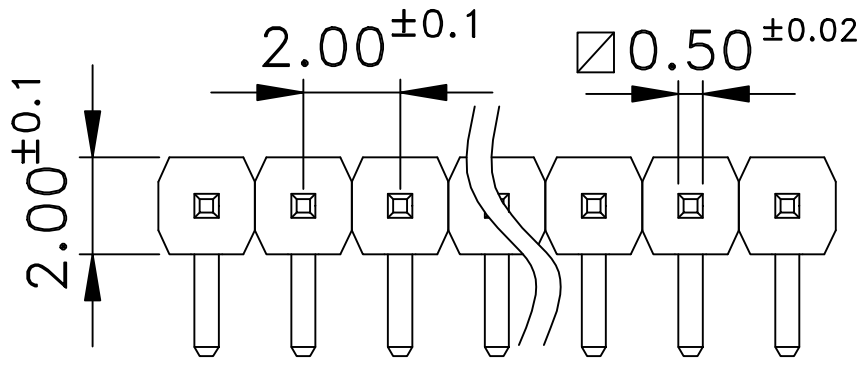
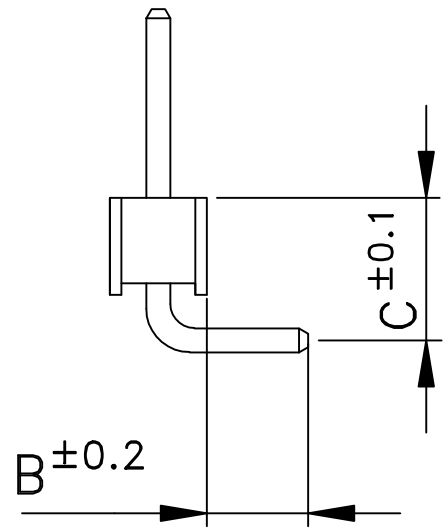
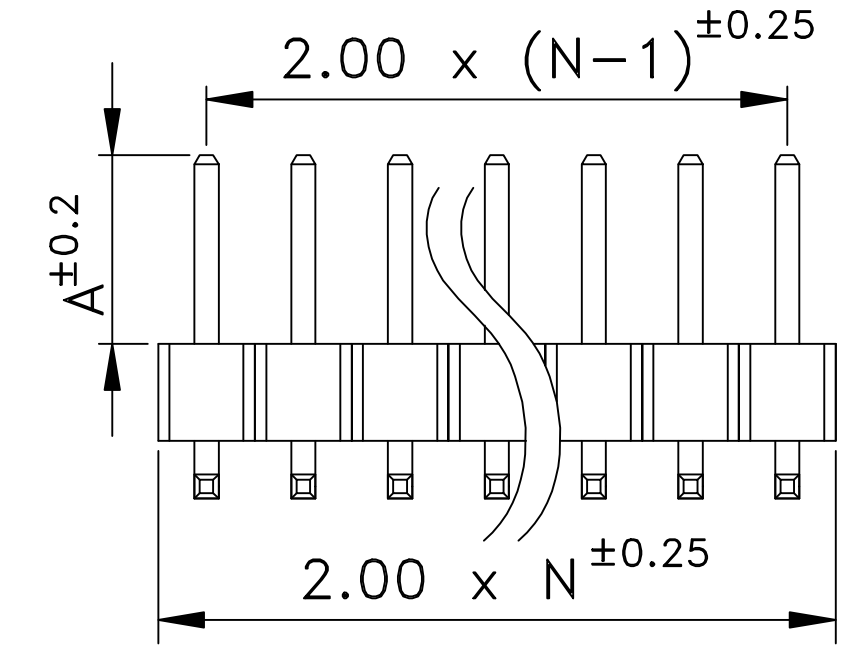


THIS DRAWING IS THE PROPERTY OF FIORTECH FACTORY AND IT CAN NOT BE USED, REPRODUCED AND OR LOANED TO THIRD PARTIES WITHOUT THE WRITTEN PERMISSION OF FIORTECH



Plating:

- (YY) = FG = gold flash (standard)
- (YY) = G1 = gold 0.12µm
- (YY) = G2 = gold 0.25µm
- (YY) = G3 = gold 0.50µm
- (YY) = G4 = gold 0.75µm
- (YY) = TF = pure tin flash
- (YY) = T1 = pure tin 5µm
- (YY) = FS = selective gold flash
- (YY) = S1 = selective gold 0.12µm
- (YY) = S2 = selective gold 0.25µm
- (YY) = S3 = selective gold 0.50µm
- (YY) = S4 = selective gold 0.75µm

(XX) = N = number of contacts between 02 and 50

Put the desired dimensions for A, B and C in mm unit

CM-200-A-1x (XX) -1- (YY) - A/B/C

QUESTO DISEGNO È DI PROPRIETÀ DELLA DITTA FIORTECH E NON PUÒ ESSERE USATO, E/O CEDUTO A TERZI SENZA IL PERMESSO SCRITTO DELLA FIORTECH

 UNIT:mm	ELECTRICAL PROPERTIES Current rate: 1 Ampère Insulation resistance: 5000MΩ min. Contact resistance: 20mΩ max. Dielectric Voltage: 500V AC for 1 minute	MECHANICAL PROPERTIES Operating temperature: -40°C + +105°C Peak temperature: 160° for 5+10 sec PCB recommended holes: Ø0.90mm	DIMENSIONS (see also "notes") 2.30mm ; 2.80mm are available for "C" dimension
INDEX	DATE	MODIFICATION OCCURRED	
TOLERANCES FOR FREE DIMENSIONS			Pin: copper alloy Insulator: Nylon 6T (UL94V0)
ANGULAR VALUES	±2°	FROM 0.5 TO 3.0 FROM >3.0 TO 6.0 FROM >6.0 TO 10.0 FROM >10.0 TO 18.0 FROM >18.0 TO 30.0 FROM >30.0 TO 50.0 FROM >50.0 TO 80.0 FROM >80.0 TO 120.0 FROM >120.0 TO 180.0 FROM >180.0 TO 250.0 FROM >250.0 TO 315.0	Material _____ Insulator height for C dimensions: 1.5mm when C is 2.3 and 2.0mm when C is 2.8
±0.125	±0.150	±0.180	±0.215
±0.260	±0.310	±0.370	±0.435
±0.500	±0.575	±0.650	Notes: _____
Date of creation 16-02-06			Designer Chiappini R.

Part number: CM-200-A-1x (XX) -1- (YY) -A/B/C

Drawing number: _____

Index: _____

File: _____

Description: _____

Single row right angle
male connector pitch 2.00mm

