

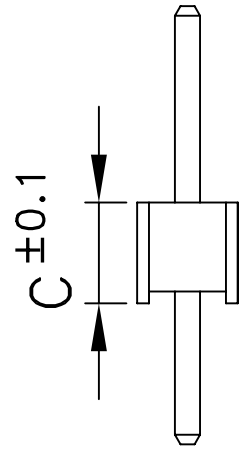
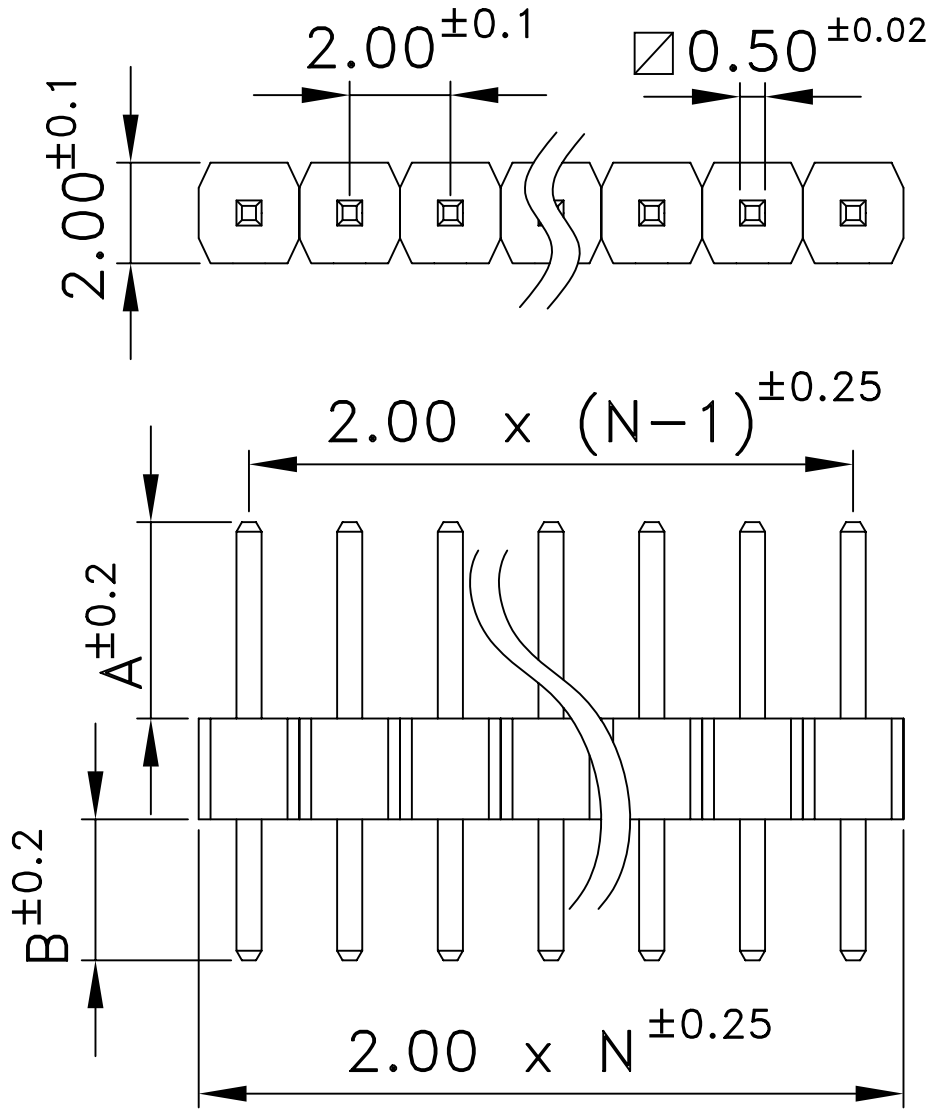
CM-200-D-1x (XX) -1- (YY) - A/B/C

(XX) = N = number of contacts between 02 and 50

Put the desired dimensions for A, B and C in mm unit

Plating:

- (YY) = FG = gold flash (standard)
- (YY) = G1 = gold 0.12µm
- (YY) = G2 = gold 0.25µm
- (YY) = G3 = gold 0.50µm
- (YY) = G4 = gold 0.75µm
- (YY) = TF = pure tin flash
- (YY) = T1 = pure tin 5µm
- (YY) = FS = selective gold flash
- (YY) = S1 = selective gold 0.12µm
- (YY) = S2 = selective gold 0.25µm
- (YY) = S3 = selective gold 0.50µm
- (YY) = S4 = selective gold 0.75µm



QUESTO DISEGNO È DI PROPRIETÀ DELLA DITTA FIORTECH E NON PUÒ ESSERE USATO, E/O CEDUTO A TERZI SENZA IL PERMESSO SCRITTO DELLA FIORTECH  
 THIS DRAWING IS THE PROPERTY OF FIORTECH FACTORY AND IT CAN NOT BE USED, REPRODUCED AND OR LOANED TO THIRD PARTIES WITHOUT THE WRITTEN PERMISSION OF FIORTECH

	ELECTRICAL PROPERTIES	MECHANICAL PROPERTIES	INSULATOR HEIGHT (C)
	Current rate: 1 Ampère Insulation resistance: 5000MΩ min. Contact resistance: 20mΩ max. Dielectric Voltage: 500V AC for 1 minute	Operating temperature: -40°C + +105°C Peak temperature: 160° for 5+10 sec PCB recommended holes: ø0.90mm	1.5mm ; 2.0mm are available.

INDEX	DATE	MODIFICATION OCCURRED	VISA Scale
TOLERANCES FOR FREE DIMENSIONS			Material: Pin: copper alloy Insulator: Nylon 6T (UL94V0)
ANGULAR VALUES ±2°	FROM 0.5 TO 3.0 FROM >3.0 TO 6.0 FROM >6.0 TO 10.0 FROM >10.0 TO 18.0 FROM >18.0 TO 30.0 FROM >30.0 TO 50.0 FROM >50.0 TO 80.0 FROM >80.0 TO 120.0 FROM >120.0 TO 180.0 FROM >180.0 TO 250.0 FROM >250.0 TO 315.0	Plating: See table	

Part number: CM-200-D-1x (XX) -1- (YY) -A/B/C

Drawing number: \_\_\_\_\_

Index: \_\_\_\_\_

File: \_\_\_\_\_

Description: \_\_\_\_\_

Straight male connector pitch 2.00mm

