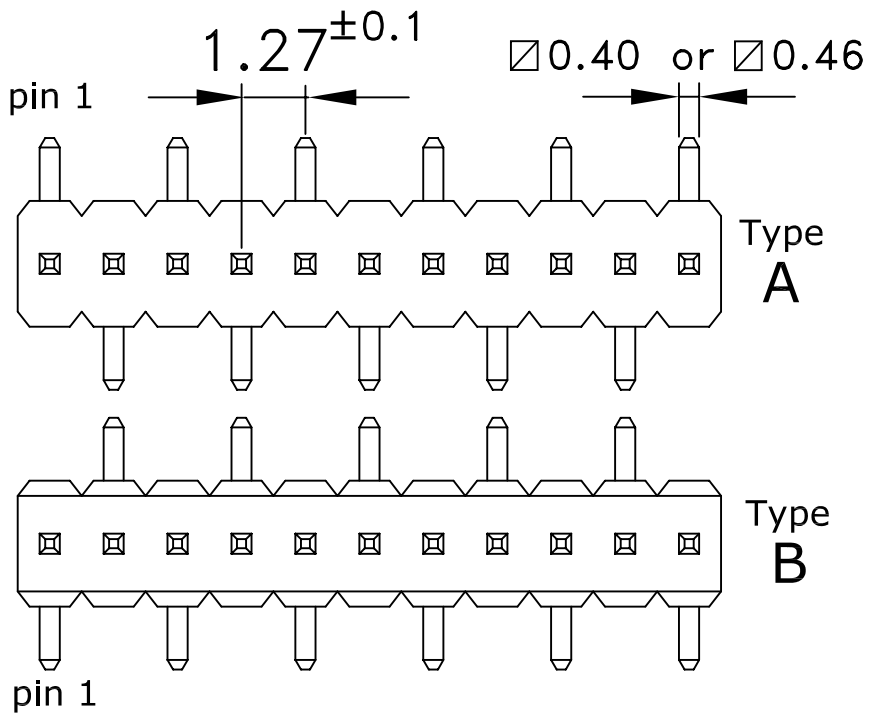
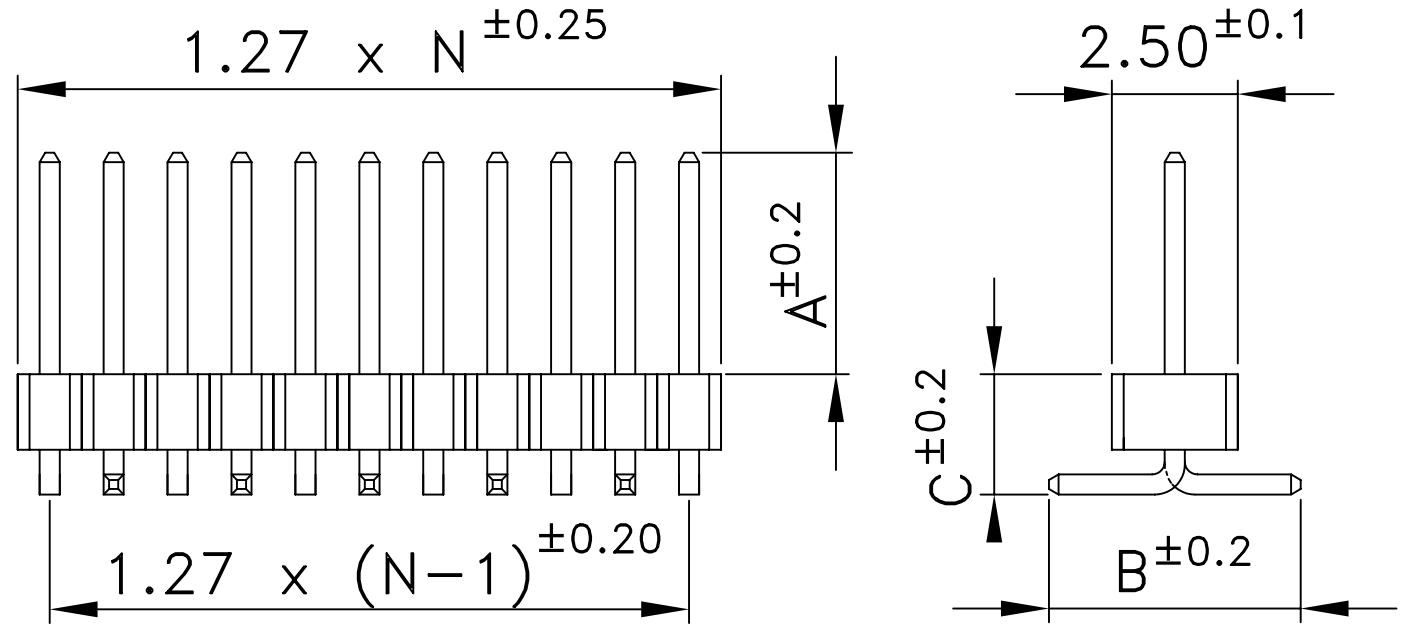


THIS DRAWING IS THE PROPERTY OF FIORTECH FACTORY AND IT CAN NOT BE USED, REPRODUCED AND OR LOANED TO THIRD PARTIES WITHOUT THE WRITTEN PERMISSION OF FIORTECH



(depending on the insulator's height (see notes))

Plating:

- (YY) = FG = gold flash (standard)
- (YY) = G1 = gold 0.12µm
- (YY) = G2 = gold 0.25µm
- (YY) = G3 = gold 0.50µm
- (YY) = G4 = gold 0.75µm
- (YY) = TF = pure tin flash
- (YY) = T1 = pure tin 5µm
- (YY) = FS = selective gold flash
- (YY) = S1 = selective gold 0.12µm
- (YY) = S2 = selective gold 0.25µm
- (YY) = S3 = selective gold 0.50µm
- (YY) = S4 = selective gold 0.75µm

Put the desired dimensions for A, B and C in mm unit

If omitted, the standard is Type A

(XX) = N = number of contacts between 02 and 40

CM-127-S-1x (XX) -1- (YY) - A/B/C - Type X

	ELECTRICAL PROPERTIES		MECHANICAL PROPERTIES		INSULATOR HEIGHT AVAILABILITY (C)	
	Current rate: 1 Ampère Insulation resistance: 5000MΩ min. Contact resistance: 10mΩ max. Dielectric Voltage: 500V AC for 1 minute		Operating temperature: -40°C + +105°C Peak temperature: 160° for 5+10 sec		1.0mm C=1.5 pin □0.40 1.5mm C=2.0 pin □0.40 1.7mm C=2.2 pin □0.46 2.5mm C=3.0 pin □0.40 2.5mm C=3.0B pin □0.46	

INDEX	DATE	MODIFICATION OCCURRED	VISA Scale
-------	------	-----------------------	------------

TOLERANCES FOR FREE DIMENSIONS										Material: Pin: copper alloy (standard brass) Insulator: Nylon 6T (UL94V0)	Date of creation 10-03-06
ANGULAR VALUES	FROM 0.5 TO 3.0	FROM >3.0 TO 6.0	FROM >6.0 TO 10.0	FROM >10.0 TO 18.0	FROM >18.0 TO 30.0	FROM >30.0 TO 50.0	FROM >50.0 TO 80.0	FROM >80.0 TO 120.0	FROM >120.0 TO 180.0		
±2°	±0.125	±0.150	±0.180	±0.215	±0.260	±0.310	±0.370	±0.435	±0.500	±0.575	±0.650
Notes: Standard "C" dimension: see "insul. height avail."											Designer Chiappini R.

Part number: CM-127-S-1x (XX) -1- (YY) - A/B/C - Type X

Drawing number: _____

Index: _____

File: _____

Description: _____

SMD male connector pitch 1.27mm



QUESTO DISEGNO E' DI PROPRIETA' DELLA DITTA FIORTECH E NON PUO' ESSERE USATO, E/O CEDUTO A TERZI SENZA IL PERMESSO SCRITTO DELLA FIORTECH