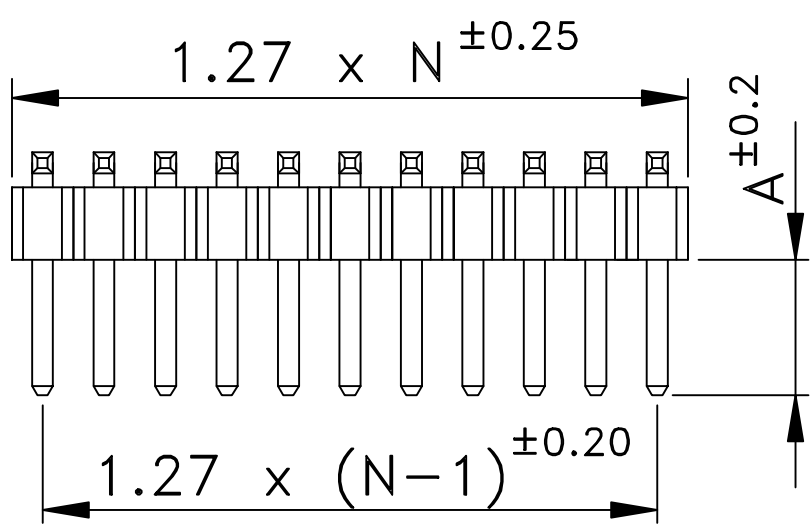
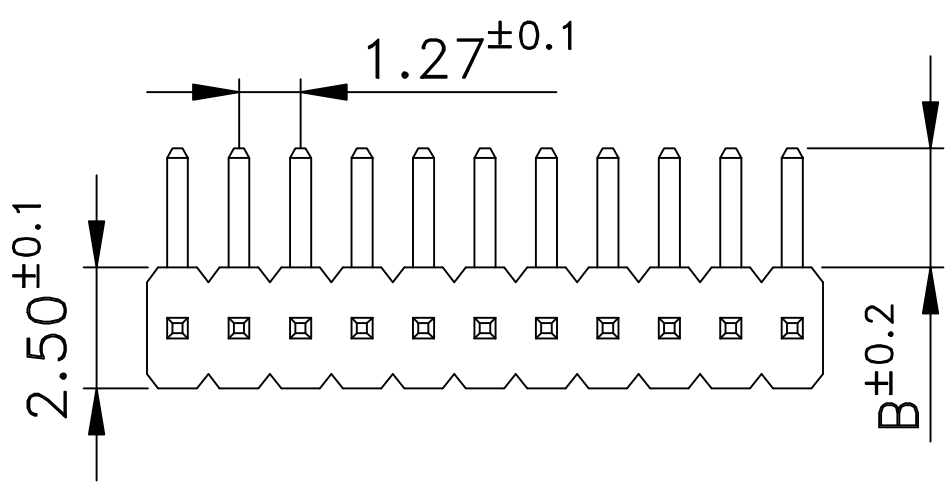


QUESTO DISEGNO E' DI PROPRIETA' DELLA DITTA FIORTECH E NON PUO' ESSERE USATO, E/O CEDUTO A TERZI SENZA IL PERMESSO SCRITTO DELLA FIORTECH
 THIS DRAWING IS THE PROPERTY OF FIORTECH FACTORY AND IT CAN NOT BE USED, REPRODUCED AND OR LOANED TO THIRD PARTIES WITHOUT THE WRITTEN PERMISSION OF FIORTECH

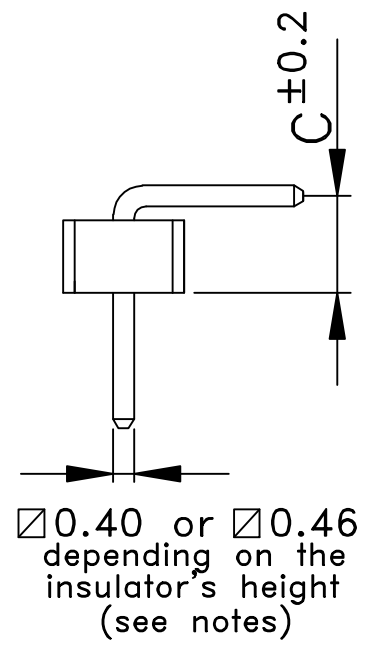
CM-127-A-1x (XX) -1- (YY) - A/B/C

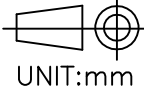
(XX) = N = number of contacts between 02 and 40

Put the desired dimensions for A, B and C in mm unit



- Plating:**
- (YY) = FG = gold flash (standard)
 - (YY) = G1 = gold 0.12µm
 - (YY) = G2 = gold 0.25µm
 - (YY) = G3 = gold 0.50µm
 - (YY) = G4 = gold 0.75µm
 - (YY) = TF = pure tin flash
 - (YY) = T1 = pure tin 5µm
 - (YY) = FS = selective gold flash
 - (YY) = S1 = selective gold 0.12µm
 - (YY) = S2 = selective gold 0.25µm
 - (YY) = S3 = selective gold 0.50µm
 - (YY) = S4 = selective gold 0.75µm



 UNIT:mm	ELECTRICAL PROPERTIES Current rate: 1 Ampère Insulation resistance: 5000MΩ min. Contact resistance: 10mΩ max. Dielectric Voltage: 500V AC for 1 minute		MECHANICAL PROPERTIES Operating temperature: -40°C + +105°C Peak temperature: 160° for 5+10 sec PCB recommended holes: ∅0.65mm		INSULATOR HEIGHT AVAILABILITY (C)			
	1.0mm	C=1.5	pin	∅0.40	1.5mm	C=2.0	pin	∅0.40
	1.7mm	C=2.2	pin	∅0.46	2.0mm	C=3.0	pin	∅0.40
	2.5mm	C=3.0B	pin	∅0.46				

INDEX	DATE	MODIFICATION OCCURRED		VISA									
TOLERANCES FOR FREE DIMENSIONS				Pin: copper alloy (standard brass) Insulator: Nylon 6T (UL94V0)									
ANGULAR VALUES	FROM 0.5 TO 3.0	FROM >3.0 TO 6.0	FROM >6.0 TO 10.0	FROM >10.0 TO 18.0	FROM >18.0 TO 30.0	FROM >30.0 TO 50.0	FROM >50.0 TO 80.0	FROM >80.0 TO 120.0	FROM >120.0 TO 180.0	FROM >180.0 TO 250.0	FROM >250.0 TO 315.0	Material	VISA Scale
±2°	±0.125	±0.150	±0.180	±0.215	±0.260	±0.310	±0.370	±0.435	±0.500	±0.575	±0.650	Insulator height and pin section for C dimensions: C=1.5 (insulator height is 1.0mm and pin is 0.40) C=2.0 (insulator height is 1.5mm and pin is 0.40) C=2.2 (insulator height is 1.7mm and pin is 0.46) C=3.0 (insulator height is 2.5mm and pin is 0.40) Notes: C=3.0B (insulator height is 2.5mm and pin is 0.46)	Date of creation 10-03-06 Designer Chiappini R.

Part number: CM-127-A-1x (XX) -1- (YY) - A/B/C

Drawing number: _____

Index: _____

File: _____

Description: _____

Right angle male connector pitch 1.27mm

